



The art of power and perfection

PNEUMATIC ACTUATORS

ACT-40

PDS-AC-40 Rev. 5



Manufacturing program:

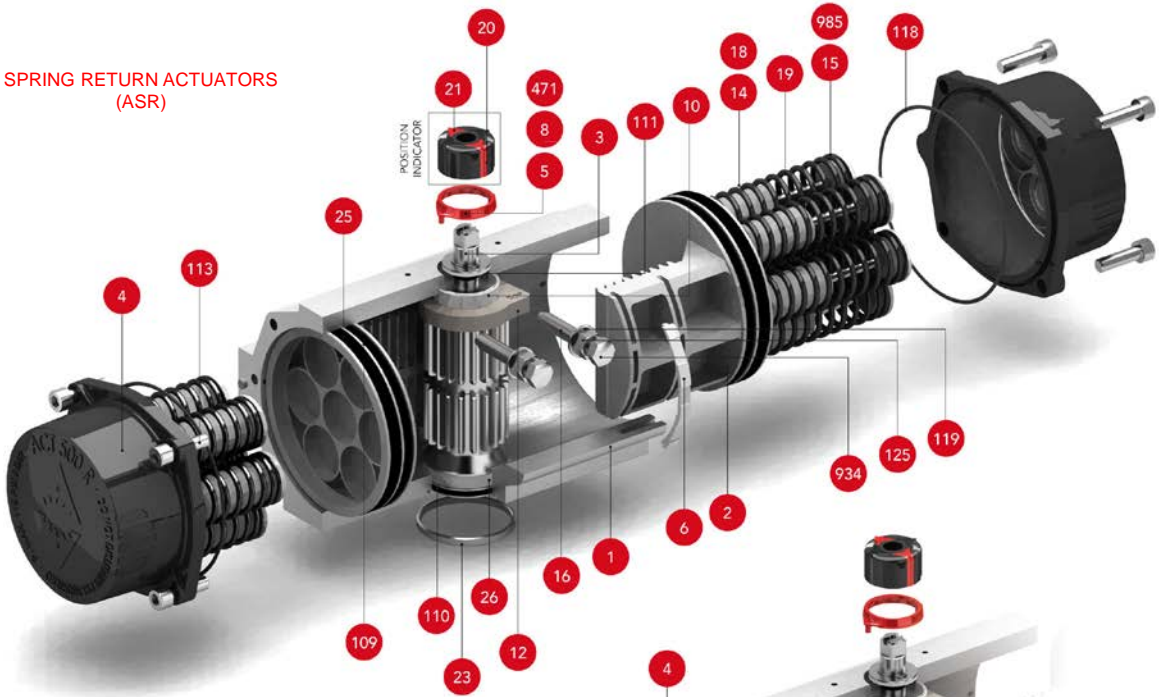
Ex II 2 G D c – LCIE 05 AR 022

Quality & Environmental Management:



TECHNICAL FEATURES

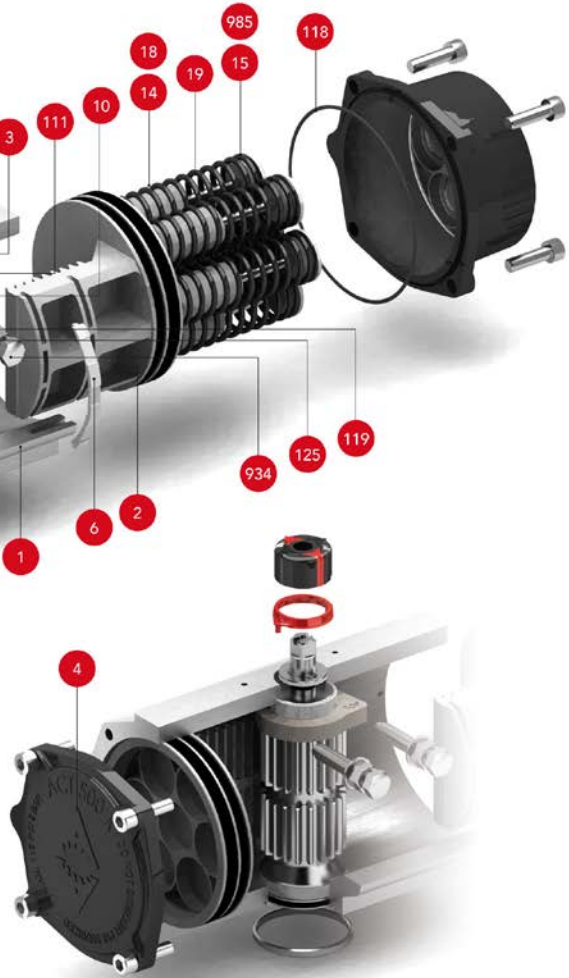
SPRING RETURN ACTUATORS (ASR)



POSITION INDICATOR



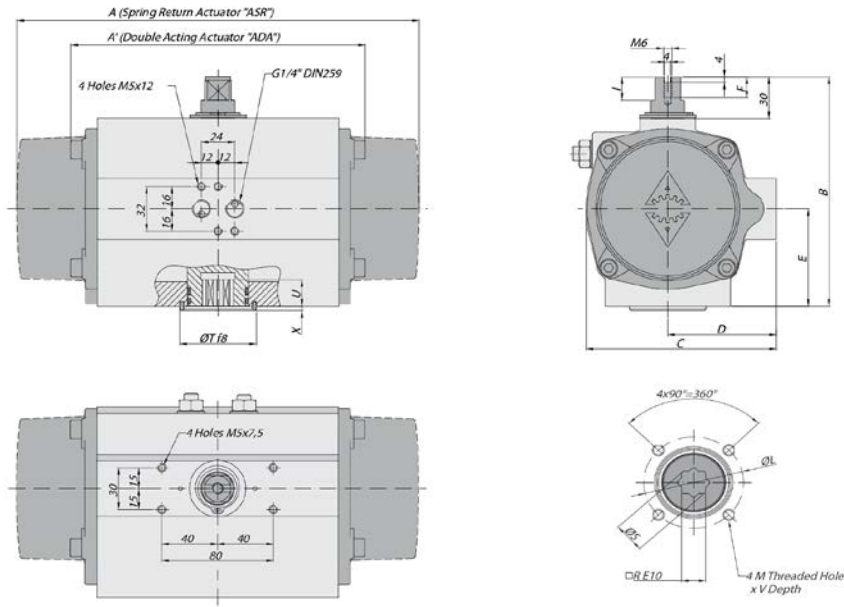
DOUBLE ACTING ACTUATOR (ADA)



PARTS & MATERIALS

Item	Description	Material	Item	Description	Material
1	Body	Aluminium Hard Anodized	23	Centering Ring	Nickel Plated Carbon Steel
2	Piston	Aluminium	24	Plug Air Stop	NBR
3	Pinion	Nickel Plated Carbon Steel	25	Slide Guide	Polyamide PA 6.6 + 30% G.F.
4	End Caps	Aluminium Epoxy Coated	26	Lower Pinion Bearing	Hostalen RCH 1000
5	Soft Pinion Washer	Polyamide PA 6.6	109	O-Ring	NBR
6	Slide piston	Polyamide PA 6.6 + 30% G.F.	110	O-Ring	NBR
8	Pinion Washer	Stainless Steel	111	O-Ring	NBR
10	Upper Pinion Bearing	Hostalen RCH 1000	113	Bolt	Stainless Steel
12	Stop	ASTM A-105	118	O-Ring	NBR
14	(*) Spring's Long Support	Polyamide PA 6.6	119	O-Ring	NBR
15	(*) Spring's Short Support	Polyamide PA 6.6	125	Washer	Stainless Steel
16	Leveling Screw	Stainless Steel	913	Set Screw	Stainless Steel
18	(*) Bolt	Stainless Steel	471	External Circlip	Stainless Steel
19	(*) Spring	DIN 2076 -D-5.6	934	Nut	Stainless Steel
20	Position Indicator	Polyamide	985	(*) Nut	Stainless Steel
21	Cam	Polyamide			

(*) Only for serie ASR.



DIMENSIONS

A	A'	B	C	D	E	F	I	R	ØS	ISO 5211	ØL	M x V	ISO 5211	ØL1	M1 x V1	ØT	X	U
195	158	115	91	56	45	9	12,5	14	18,1	F04 F05	42 50	M6x10 M6x10			M8x16	35	3	12

(*) Dimensions in mm.

GENERAL CHARACTERISTICS

DESIGN STANDARDS	Serie ADA	Actuator	Double	Acting
	Serie ASR	Actuator	Spring	Return
Mounting of solenoid valves	NAMUR Std.			
Mounting of devices	NAMUR VDI		NAMUR VDE 3845 Std.	
Coupling according	ISO 5211		DIN 3337	
Marking	Ex II 2 G D c LCIE 05 AR 022		According to EN 15714-3	

TESTS AND CERTIFICATES

Quality assurance	ISO 9001	Safety integral level 3 (SIL3)

Max. Pressure	Rotation	Screw stroke Adjustment	Chamber Ø (mm)	Air Volume (L)		Stroke Time Sec. (A)		Operating Temperature (°C)				
				Opening	Closing	Opening	Closing	STD (standard)	HT (high temp.)	LT (low temp.)		
8 bar	90° ±5°	For 1° Need ¼ Turn	60,2	0,27	0,23	D	0,08	D	0,08	NBR "O" Ring	FPM "O" Ring	Silicone "O" Ring
						S	0,20	S	0,29	-30° to +100°	-15° to +150°	-40° to +80°

DOUBLE ACTING ACTUATOR "ADA" TORQUE OUTPUT IN Nm

TYPE	Output Torque For Double Acting in Nm														Weight (Kg)						
	3 bar		3,5 bar		4 bar		4,5 bar		5 bar		5,5 bar		6 bar (A)			6,5 bar		7 bar		8 bar	
D	0°	90°	0°	90°	0°	90°	0°	90°	0°	90°	0°	90°	0°	90°	0°	90°	0°	90°	0°	90°	3,1
	20,3		23,7		27,1		30,5		33,9		37,3		41		44		47		54		

SPRING RETURN ACTUATOR "ASR" TORQUE OUTPUT IN Nm

TYPE	Output Torque for Spring Return in Nm														Spring stroke		Weight (Kg)						
	3 bar		3,5 bar		4 bar		4,5 bar		5 bar		5,5 bar		6 bar (A)		6,5 bar			7 bar		8 bar			
S04	0°	90°	0°	90°	0°	90°	0°	90°	0°	90°	0°	90°	0°	90°	0°	90°	0°	90°	0°	90°	END	STAR	2,17
	16	14	20	17	23	20	26	24	30	27	33	30	37	34	40	37	43	41	50	47	5	8	
S06	14	10	18	14	21	17	24	20	28	24	31	27	34	30	38	34	41	37	48	44	7	12	2,20
			15	10	19	14	22	17	26	20	29	24	32	27	36	30	39	34	46	41	10	16	
S08							20	14													12	20	2,26
									21	13	25	17	28	20	32	24	35	27	42	34	15	24	
S10																					17	28	2,32
S12																							2,29
S14 (A)																							2,32

(A) Standard construction.



ACTREG UK, LTD

Units 2 & 3 Henson Close Telford Way Industrial Estate Kettering
Northants NN 16 8PZ United Kingdom

Phone: 0044 1536412525 Fax: 0044 1536521616

sales@actreg.co.uk